

MPB SERIES 1040S DUAL TUBE FLOWMETER

GENERAL INFORMATION

The MPB Series 1040S Dual Tube Flowmeter is designed for measuring two instantaneous flow rates of virtually any process liquids or gases simultaneously. The principle of operation of the flowmeter is quite simple:-

The height attained by the float in its tapered flow tube is directly related to a calibrated scale. The flow should be read from the centre of the ball, or top of a plumb bob float.

This flowmeter offers very low flows down to 2-20cc/min (Air).

The Series 1040S Dual Tube Flowmeter has rear facing connections as standard and the flowmeters are supplied complete with 2 x M4 mounting studs.

Whilst MPB Industries supply an extensive range of standard flow tubes, MPB can design and manufacture flow tubes for virtually any gas or liquid and calibrate for a wide range of process conditions (*please contact our sales office*).

For increased flow rates and higher scale resolution, please see our technical literature MPB Series 1240S (technical bulletin MPBTB 100).



SERIES 1040S FEATURES

- DIRECT READING OF INSTANTANEOUS FLOW RATES
- WIDE RANGE OF STANDARD FLOW RANGES
- EASY TO READ SCALES
- FRICTIONLESS, HENCE LOW HEAD LOSS
- 93mm TUBE LENGTH
- STANDARD OR CUSTOMISED FLOW SCALES
- VALVED OR NON-VALVED VERSIONS
- REAR FACING CONNECTIONS
- STAINLESS STEEL CONNECTIONS
- POLYCARBONATE SAFETY COVER
- MINIMAL MAINTENANCE
- LONG SERVICE LIFE
- ALARM VERSIONS AVAILABLE
- EASY TUBE REMOVAL IN-SITU

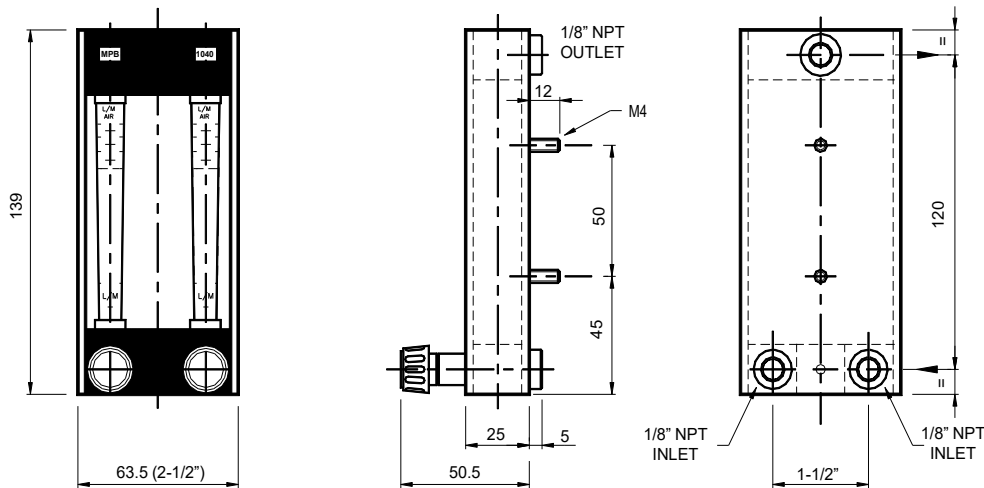
Typical applications include analytical instrumentation, gas flow control, small dosing systems, purge metering, leak detection and blending systems, or any requirement for a dual tube arrangement.

Typical industries served include brewing, gas analysis, aerospace, pharmaceutical, engine testing, paper, water treatment, oil and gas, etc.

MPB SERIES 1040S DUAL TUBE FLOWMETER

<p>Chassis: Anodised aluminium to BSEN12373/AA25</p> <p>End Blocks: Stainless Steel</p> <p>Process Connections: 1/8" BSPPF, OR 1/8" NPTF</p> <p>Cover: Polycarbonate</p> <p>Seals: Viton, Nitrile, or EPDM</p> <p>Metering Tube: Borosilicate glass</p> <p>Scale: Permanently fired black ceramic</p> <p>Ball Floats: Glass, Stainless steel, Ruby, Tungsten</p>	<p>Plumb Bob Floats: Anodised aluminium Stainless Steel</p> <p>Weight: 450 grams</p> <p>Maximum Working Pressure: Gas: up to 20 bar g (non-shock) Liquid: up to 20 bar g (non-shock)</p> <p>Maximum Working Temperature: 100°C Viton</p> <p>Accuracy: ± 5% FSD for predicted scales ± 3% FSD for calibrated scales</p>
--	---

STANDARD RANGES	
AIR @ 1013 mbar abs 20°C	WATER @ 20°C
2 – 20cc/min	5 – 50cc/min
5 – 50cc/min	10 – 100cc/min
10 – 100cc/min	25 – 250cc/min
25 – 250cc/min	60 – 600cc/min
50 – 500cc/min	100 – 1000cc/min
100 – 1000cc/min	
0.25 – 2.5 L/min	
0.5 – 5 L/min	
1 – 10 L/min	
2.5 – 25 L/min	
4 – 40 L/min	



Customised flow ranges are available. Please consult MPB Industries to select the required flow range for the process fluid used.

MPB Industries Ltd - Designers and Manufacturers of Scientific and Process Control Instrumentation

Part of SDI Group plc
Unit 1 Branbridges Ind Est, East Peckham, Kent TN12 5HF, UK, Tel: +44 (0)1622 872401
mail@mpbflowmeters.com, www.mpbflowmeters.com



Due to the constant development and improvement of products, information may be altered or withdrawn without notice.