

## MPB SERIES 1200 VARIABLE AREA FLOWMETER WITH LATCHING FLOW SWITCH

### GENERAL INFORMATION

The MPB Series 1200 Flowmeter is produced in three standard sizes. Normally front of panel mounted, but can also be rear of panel mounted and supplied complete with bezel and panel mounting kit. Three versions are available:-

**1200 Long** which has a flow tube length of 295mm, is for use where high resolution scale accuracy is required.

**1200 Standard**, which has a flow tube length of 138mm, universal standard tube length.

**1200 Compact**, which has a flow tube length of 93mm, is for use where space is at a premium.

The MPB 1200 Series Flowmeter will give an instantaneous flow rate of virtually any process gas or liquid.

The MPB 1200 Series Flowmeter can be supplied with either nickel plated brass, anodised aluminium alloy, or stainless steel connections.

These can be supplied with straight through, or rear facing connections, with or without integral control valves.



### MPB SERIES 1200 FEATURES

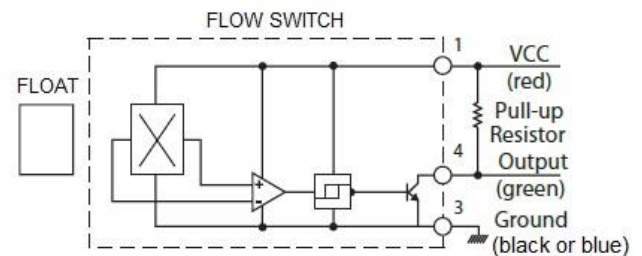
- THREE STANDARD LENGTHS AVAILABLE
- VALVED OR NON-VALVED VERSIONS AVAILABLE
- STRAIGHT THROUGH OR REAR FACING CONNECTIONS
- BEZEL AND MOUNTING KIT AVAILABLE FOR ALL VERSIONS, MPBTB 047
- FRICTIONLESS, HENCE LOW HEAD LOSS
- ELEGANT AND ROBUST DESIGN
- EASY TO READ SCALE
- EASY IN-SITU TUBE REMOVAL AND RE-INSTALLATION
- SUITABLE FOR FRONT, OR REAR OF PANEL MOUNTING
- POLYCARBONATE SAFETY COVER
- STANDARD OR CUSTOMISED FLOW SCALES
- DIRECT READING OF INSTANTANEOUS FLOW RATE
- NICKEL PLATED BRASS, ANODISED ALUMINIUM AND 303 STAINLESS STEEL CONNECTIONS
- DIGITAL HALL EFFECT FLOW SWITCH
- 2 METER LONG FLYING LEAD FROM SWITCH

# MPB SERIES 1200 VARIABLE AREA FLOWMETER DIMENSIONS REAR FACING CONNECTIONS

<b>Chassis:</b>	Anodised aluminium to BSEN12373/AA25
<b>End Blocks:</b>	Ni plated brass 303 Stainless steel Anodised aluminium alloy
<b>Process Connections:</b>	¼" BSPPF, or ¼" NPTF rear facing, or straight through
<b>Valve Stem:</b>	316 Stainless steel
<b>Cover:</b>	Polycarbonate
<b>Seals:</b>	Nitrile, Viton, EPDM, etc
<b>Metering Tube:</b>	Borosilicate glass (93mm, 138mm and 295mm long)

<b>Scale:</b>	Permanently fired black ceramic
<b>Plumb Bob Floats:</b>	Hard anodised aluminium 316 Stainless Steel
<b>Weight:</b>	500-700 grams
<b>Maximum Working Pressure:</b>	Gas: up to 20 bar g (non-shock) Liquid: up to 20 bar g (non-shock)
<b>Maximum Working Temperature:</b>	60°C Nitrile 100°C Viton
<b>Accuracy:</b>	± 5% FSD predicted ± 2% FSD series calibrated

<b>TECHNICAL SPECIFICATIONS FOR SWITCH</b>	
<b>Operating Voltage:</b>	4.5 - 24 Vdc
<b>Supply Voltage:</b>	5.2 mA Max
<b>Output:</b>	3 wire sink
<b>Output Saturation Voltage:</b>	400mV Max
<b>Output Current:</b>	20 mA Max
Pull up resistor may be required depending on application.	

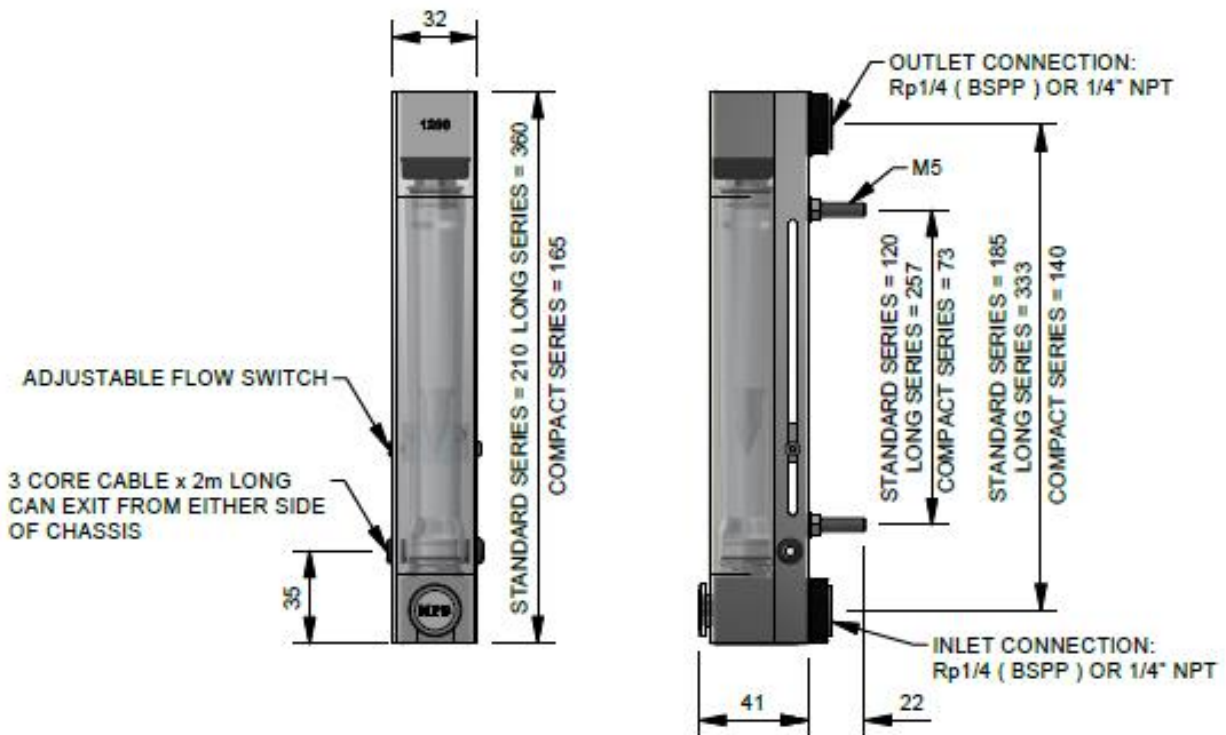
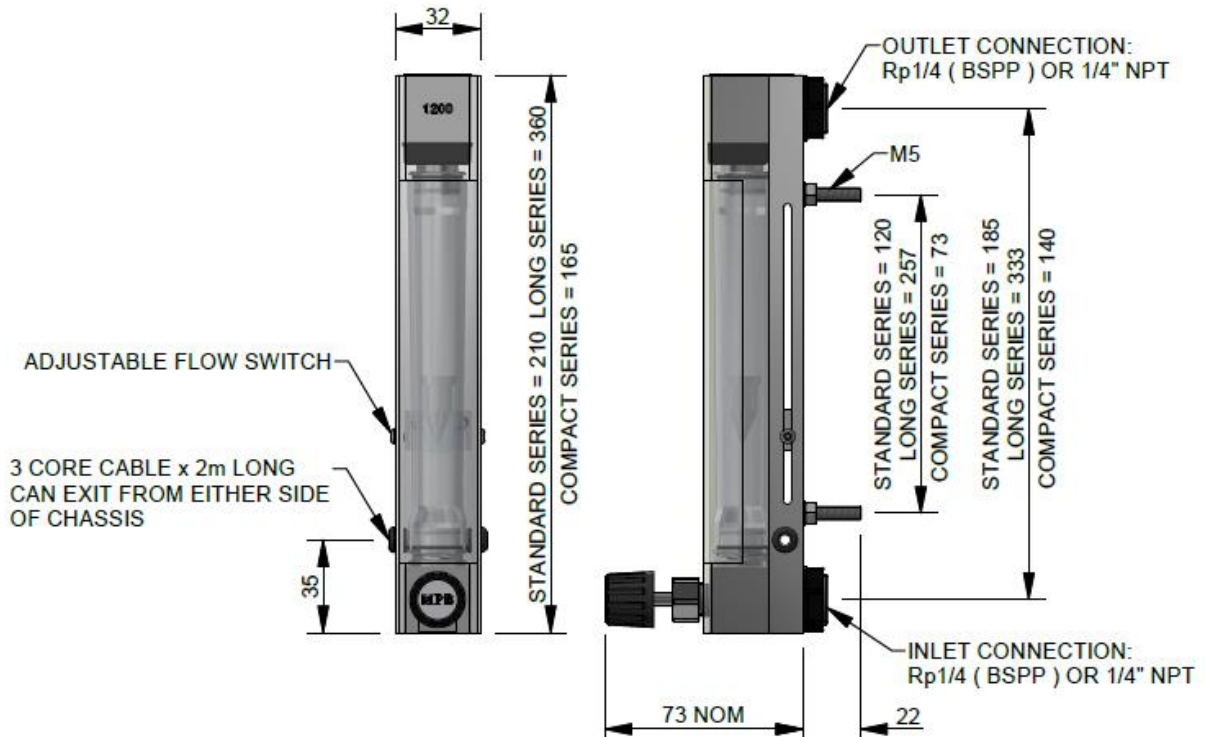


## STANDARD RANGES

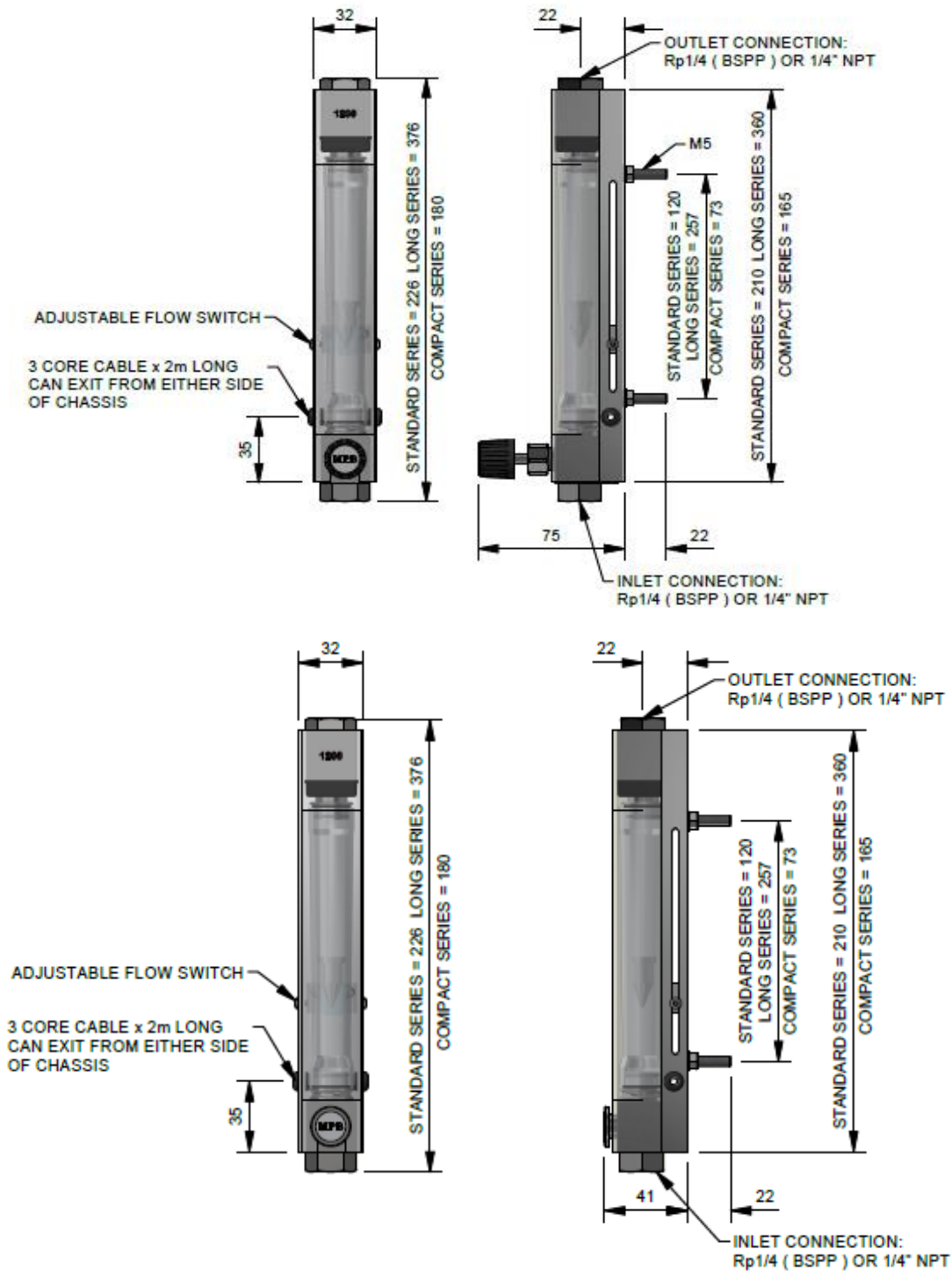
MPB 1200 COMPACT SERIES 93mm Tube Length		MPB 1200 STANDARD SERIES 138mm Tube Length		MPB 1200 LONG SERIES 295mm Tube Length	
AIR @ 1013 mbar abs 20°C	Water @ 20°C	AIR @ 1013 mbar abs 20°C	Water @ 20°C	AIR @ 1013 mbar abs 20°C	Water @ 20°C
100 - 1000cc/min 0.15 - 1.5 L/min 0.25 - 2.5 L/min 0.5 - 5 L/min 1 - 10 L/min 2 - 20 L/min 3 - 35 L/min 4 - 40 L/min 10 - 100 L/min 12 - 120 L/min 15 - 150 L/min	0.25 - 2.5 L/min 0.5 - 5 L/min 1 - 10 L/min 1.5 - 15 L/min 2.5 - 25 L/min 5 - 50 L/min 10 - 100 L/min 15 - 150 L/min	0.25 - 2.5 L/min 0.5 - 5 L/min 1 - 10 L/min 1.5 - 15 L/min 2.5 - 25 L/min 5 - 50 L/min 10 - 100 L/min 15 - 150 L/min	25 - 250cc/min 50 - 500cc/min 0.1 - 1 L/min 0.2 - 2 L/min 0.3 - 3 L/min 0.5 - 5 L/min	3 - 30 L/min 5 - 50 L/min 10 - 100 L/min 15 - 150 L/min	25 - 250cc/min 50 - 500cc/min 0.1 - 1 L/min 0.2 - 2 L/min 0.3 - 3 L/min 0.5 - 5 L/min
See 1200L Technical Bulletin MPBTB 086					

Customised flow ranges are available.  
Please consult MPB Industries to select the required flow range for the process fluid used.

# MPB SERIES 1200 VARIABLE AREA FLOWMETER DIMENSIONS REAR FACING CONNECTIONS



# MPB SERIES 1200 VARIABLE AREA FLOWMETER DIMENSIONS STRAIGHT THROUGH CONNECTIONS



Customised flow ranges are available.  
Please consult MPB Industries to select the required flow range for the process fluid used.

*MPB Industries Ltd - Designers and Manufacturers of Scientific and Process Control Instrumentation*

Part of the SDI Group of companies  
Unit 1 Branbridges Ind Est, East Peckham, Kent TN12 5HF, UK, Tel: +44 (0)1622 872401  
mail@mpbflowmeters.com, www.mpbflowmeters.com

Due to the constant development and improvement of products, information may be altered or withdrawn without notice.