

TX200 METAL TUBE VARIABLE AREA FLOWMETER

GENERAL INFORMATION

The MPB Series TX200 Metal Tube VA Flowmeter has been designed to measure flow volumes of aggressive chemicals at higher-than-average pressures.

As standard supplied with 1/8" NPT female end connections.



STANDARD RANGES

Air flow rate @ STP	
L/min	L/hr
0.3 - 3	18 - 180
0.5 - 5	30 - 300
1 - 10	60 - 600
2 - 20	12 - 1200
5 - 30	180 - 1800
5 - 50	300 - 3000

MPB SERIES TX200 FEATURES

- FLOW METERING OF GASES AT PRESSURES UP TO 700 PSI AND TEMPERATURES TO 150°C
- PRECISE FLOWRATE CONTROL VIA AN INLET CONTROL VALVE
- 316 (A4) STAINLESS STEEL FLOW PARTS GIVES EXCELLENT CORROSION RESISTANCE
- ROBUST DESIGN
- VERTICAL CONNECTIONS
- NON-VALVED VERSION AVAILABLE
- COMPACT DESIGN
- VITON VALVE SEAL
- OPTIONAL ADJUSTABLE 4- 20 mA OUTPUT
- OPTIONAL ADJUSTABLE HIGH & LOW FLOW ALARM CONTACT OUTPUTS CONFIGURABLE AS NO OR NC



TX200 METAL TUBE VARIABLE AREA FLOWMETER

- Enclosure: Aluminium
- Standard Scale: 0 -100%
(Optional 10:1 calibrated)
- Standard Seals: Viton
- Metering Tube: 316 Stainless Steel
- Float: 316 Stainless Steel
- Weight: 1 kg
- Maximum Working Temperature: 150°C (Viton)
- Maximum Working Pressure: up to 50 bar g
- Accuracy: $\pm 5\%$ FSD predicted

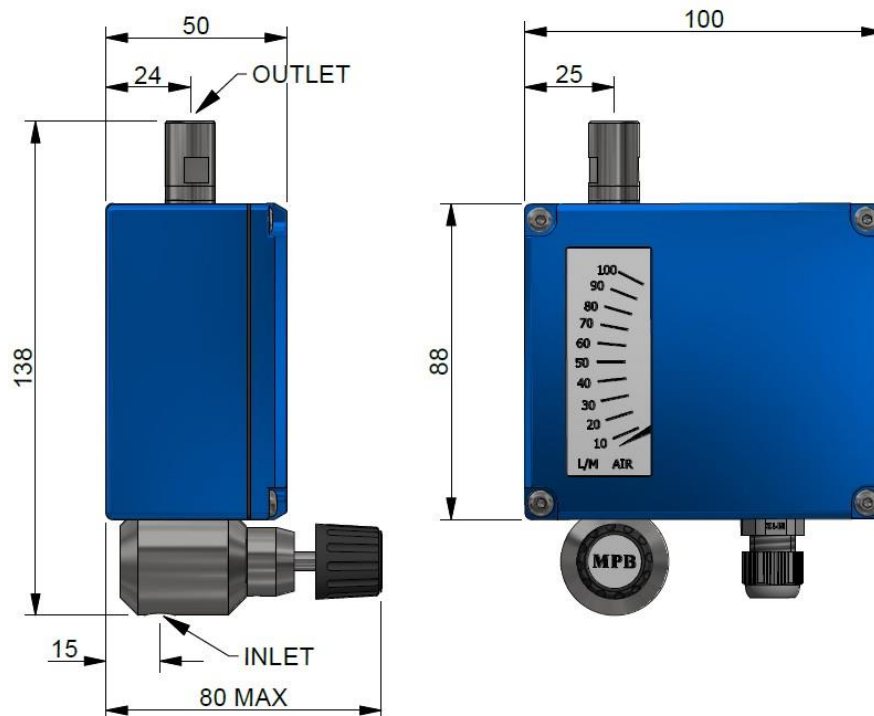
Electrical Specifications:

4-20mA Features:

- Wide 6-36Vdc input voltage supply range
- 0.05mA output resolution
- Easy push button setup
- Optional NAMUR NE43 extended working range and diagnostics mode

Alarm Option:

- Separate 7.5-12Vdc input voltage supply required
- Individual upper and lower alarm relays and output connections
- Relay contact ratings: 48Vdc/0.1A (5W max)
- Easy push button alarm level setting
- Relays configurable as NO or NC



MPB Industries Ltd - Designers and Manufacturers of Scientific and Process Control Instrumentation

Part of the Scientific Digital Imaging plc (SDI) group of companies

Unit 1 Branbridges Ind Est, East Peckham, Kent TN12 5HF, UK, Tel: +44 (0)1622 872401

mail@mpbflowmeters.com, www.mpbflowmeters.com



Due to the constant development and improvement of products, information may be altered or withdrawn without notice.