

## MPB F200 METAL TUBE VARIABLE AREA FLOWMETER

### GENERAL INFORMATION

The MPB Series F200 Metal Tube VA Flowmeter has been designed to measure flow volumes of aggressive chemicals at higher-than-average pressures.

As standard, supplied with 1/8" NPT female end connections.



### STANDARD RANGES

Air flow rate @ STP	
L/min	L/hr
0.3 - 3	18 - 180
0.5 - 5	30 - 300
1 - 10	60 - 600
2 - 20	12 - 1200
5 - 30	180 - 1800
5 - 50	300 - 3000

### MPB SERIES F200 FEATURES

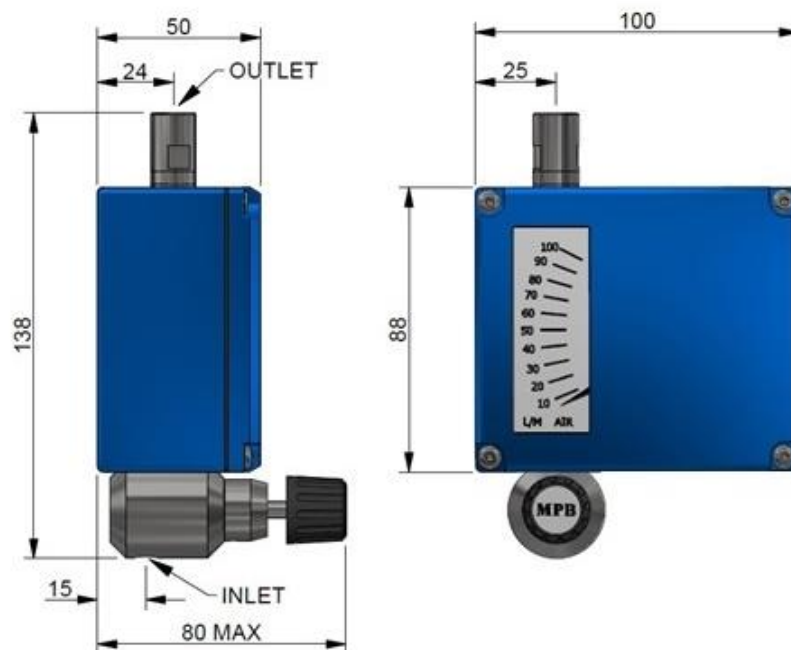
- FLOW METERING OF GASES AT PRESSURES UP TO 700 PSI AND TEMPERATURES TO 150°C
- PRECISE FLOWRATE CONTROL VIA AN INLET CONTROL VALVE
- 316 (A4) STAINLESS STEEL FLOW PARTS GIVES EXCELLENT CORROSION RESISTANCE
- ROBUST DESIGN
- VERTICAL CONNECTIONS
- NON-VALVED VERSION AVAILABLE
- COMPACT DESIGN
- VITON VALVE SEAL



## F200 METAL TUBE VARIABLE AREA FLOWMETER

### SPECIFICATION AND GENERAL NOTES

- Enclosure: Aluminium
- Standard Scale: 0 -100% (Optional 10:1 calibrated)
- Standard Seals: Viton
- Metering Tube: 316 Stainless Steel
- Float: 316 Stainless Steel
- Weight: 1 kg
- Maximum Working Temperature: 150°C (Viton)
- Maximum Working Pressure: up to 50 bar g
- Accuracy:  $\pm 5\%$  FSD predicted



*MPB Industries Ltd - Designers and Manufacturers of Scientific and Process Control Instrumentation*

Part of the Scientific Digital Imaging plc (SDI) group of companies

Unit 1 Branbridges Ind Est, East Peckham, Kent TN12 5HF, UK, Tel: +44 (0)1622 872401

mail@mpbflowmeters.com, www.mpbflowmeters.com



Due to the constant development and improvement of products, information may be altered or withdrawn without notice.