

## MPB SERIES TX600 METAL TUBE TRANSMITTING FLOWMETER

### GENERAL INFORMATION

The MPB Series TX600 Metal Tube Transmitting Flowmeter has been designed to meet demanding high pressure and corrosive applications where a local display, transmitted out and signal functions are required.

The TX600 Metal Tube Transmitting Flowmeter is manufactured in 1", 2" and 3" flanged ANSI 150 RF and 1" and 2" BSPPF (Rp) screwed versions.

The TX600 Metal Tube Transmitting Flowmeter, whilst having a range of standard flow rates, can be calibrated for almost any liquid or gas. The materials of construction will assist the designer in selecting a compatible flowmeter for the medium being processed.

The TX600 Metal Tube Transmitting Flowmeter is ideal for high pressure flow indication. Applications can be found in the water, chemical and processing industries.

The TX600 Metal Tube Transmitting Flowmeter incorporates a 4-20mA two wire transmitter.

This transmitter can be configured to include NAMUR NE43 extended mA range.



MODEL SHOWN:  
TRANSMITTER WITH  
1" THREADED  
CONNECTION

### SERIES TX600 FEATURES

- 4–20 mA ATEX OUTPUT
- TWO FULLY ADJUSTABLE NAMUR ALARMS (HI/LO)
- STANDARD FLANGED LENGTH 250MM, SCREWED VERSIONS MAY EXCEED THIS
  - STAINLESS STEEL CONSTRUCTION
- LARGE CLEAR ANALOGUE INDICATOR DISPLAYING INSTANTANEOUS FLOW RATE
  - SUITABLE FOR HIGH PRESSURE APPLICATIONS
  - SUITABLE FOR CORROSIVE APPLICATIONS
  - STANDARD AND CUSTOMISED FLOW SCALES

# MPB SERIES TX600 METAL TUBE TRANSMITTING FLOWMETER

<b>Process Connections:</b>	1" and 2" BSPPF (Rp) screwed, 1", 2 and 3" flanged ANSI 150 RF, or to customer specification
<b>Display:</b>	Highly visible analogue display
<b>Construction:</b>	316 Stainless Steel
<b>Accuracy:</b>	± 5% FSD predicted
<b>Maximum Working Pressure for Stainless Steel, Gas and Liquid (PED Group 2):</b>	1" - 50 bar g, or flange rating 2" - 65 bar g, or flange rating (18 bar g for gas) 3" - 85 bar g, or flange rating (12 bar g for gas)
<b>Maximum Ambient Temperature:</b>	80°C
<b>Transmitter box Ingress protection:</b>	IP66

## Electrical Specifications:

### 4-20mA Features:

- Wide 6-36Vdc input voltage supply range
- 0.05mA output resolution
- Easy push button setup
- Optional NAMUR NE43 extended working range and diagnostics mode

### Alarm Option:

- Separate 7.5-12Vdc input voltage supply required
- Individual upper and lower alarm relays and output connections
- Relay contact ratings: 48Vdc/0.1A ( 5 W max )
- Easy push button alarm level setting
- Relays configurable as NO or NC

## STANDARD RANGES 3" (Flanged only)

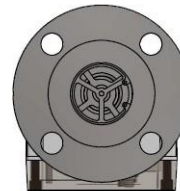
AIR @ 1013 mbar abs 20°C		WATER @ 20°C	
7500 L/min	450 m <sup>3</sup> /hr	250 L/min	15 m <sup>3</sup> /hr
10000 L/min	600 m <sup>3</sup> /hr	350 L/min	20 m <sup>3</sup> /hr
12000 L/min	750 m <sup>3</sup> /hr	400 L/min	25 m <sup>3</sup> /hr
15000 L/min	900 m <sup>3</sup> /hr	500 L/min	30 m <sup>3</sup> /hr
19500 L/min	1200 m <sup>3</sup> /hr	650 L/min	40 m <sup>3</sup> /hr

## STANDARD RANGES 1"

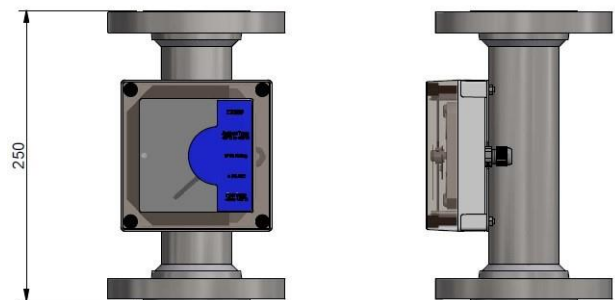
AIR @ 1013 mbar abs 20°C		WATER @ 20°C	
1000 L/min	60 m <sup>3</sup> /hr	10 L/min	0.6 m <sup>3</sup> /hr
1500 L/min	90 m <sup>3</sup> /hr	35 L/min	2 m <sup>3</sup> /hr
2500 L/min	150 m <sup>3</sup> /hr	50 L/min	3 m <sup>3</sup> /hr
3500 L/min	200 m <sup>3</sup> /hr	85 L/min	5 m <sup>3</sup> /hr
		100 L/min	6 m <sup>3</sup> /hr

## STANDARD RANGES 2"

AIR @ 1013 mbar abs 20°C		WATER @ 20°C	
1500 L/min	90 m <sup>3</sup> /hr	50 L/min	3 m <sup>3</sup> /hr
2000 L/min	100 m <sup>3</sup> /hr	100 L/min	6 m <sup>3</sup> /hr
5000 L/min	300 m <sup>3</sup> /hr	150 L/min	10 m <sup>3</sup> /hr
6000 L/min	350 m <sup>3</sup> /hr	200 L/min	12 m <sup>3</sup> /hr
7500 L/min	450 m <sup>3</sup> /hr	250 L/min	15 m <sup>3</sup> /hr
9000 L/min	550 m <sup>3</sup> /hr	300 L/min	18 m <sup>3</sup> /hr
		400 L/min	25 m <sup>3</sup> /hr



MODEL SHOWN :  
2" ANSI 150lb RF FLANGED



Customised flow ranges are available.  
Please consult MPB Industries to select the required flow range for the process fluid used.

MPB Industries Ltd - Designers and Manufacturers of Scientific and Process Control Instrumentation

Part of the Scientific Digital Imaging plc (SDI) group of companies  
Unit 1 Branbridges Ind Est, East Peckham, Kent TN12 5HF, UK, Tel: +44 (0)1622 872401  
mail@mpbflowmeters.com, www.mpbflowmeters.com



Due to the constant development and improvement of products, information may be altered or withdrawn without notice.