

MPB SERIES TX175 TRANSMITTING FLOWMETER

TUBE AND FLOAT INSTALLATION AND REPLACEMENT

1. Remove the flowmeter cover and black safety clip, loosen retaining screw and tilt up scale plate
2. Gently push the flow tube upward onto the top connector, at the same time tilt the tube.

The flow assembly can now be withdrawn.

CAUTION: *DO NOT excessively tilt the tube as breakage can occur.*

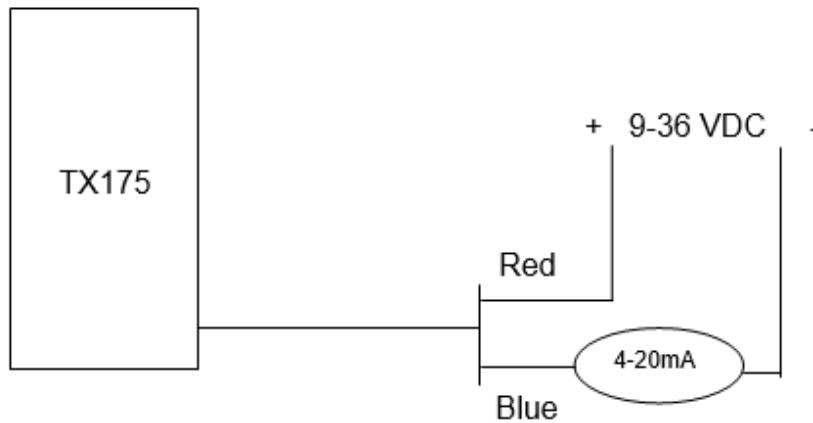
3. The float and guide rod assembly can now be removed from the lower tube end.
4. On assembly ensure the rubber float stop is fitted on the guide rod below the top float guide.
5. Reassemble reversing steps 1 and 2.

FLOWMETER INSTALLATION

1. Install the flowmeter in a vertical upright position.
2. When connecting pipe work to the flowmeter **it is essential** that on the units fitted with hexagon headed process connections, a suitable spanner must be used to prevent the connection rotating.
3. Protect the meter from entrained air and solids in the process fluid.
4. Cleaning of the flowmeter can be carried out using warm soapy water.

MPB SERIES TX175 TRANSMITTING FLOWMETER

TRANSMITTER SETUP DETAIL



1. Connect transmitter as above
2. Set flowmeter to read the desired zero point (4mA)
3. Rotate zero pot on transmitter until 4mA is indicated on the mA meter.
(Rotate pot clockwise to increase.)
4. Once the zero point is set, increase the flow on the flowmeter until the required span flow rate is achieved.
5. Rotate span pot on transmitter until 20mA is indicated on the mA meter.

The flow transmitter is now set to give 4-20 mA over the desired flow range.

Flow reading to be taken from scale, level with top of float.

See also MPBTB 023 Series TX175 Transmitting Flowmeter Data Sheet.

MPB Industries Ltd - Designers and Manufacturers of Scientific and Process Control Instrumentation

Part of the Scientific Digital Imaging plc (SDI) group of companies
Unit 1 Branbridges Ind Est, East Peckham, Kent TN12 5HF, UK, Tel: +44 (0)1622 872401
mail@mpbflowmeters.com, www.mpbflowmeters.com



Due to the constant development and improvement of products, information may be altered or withdrawn without notice.