

MPB LONG SERIES 1200 VARIABLE AREA FLOWMETER INCLUDING LOW FLOW RANGE

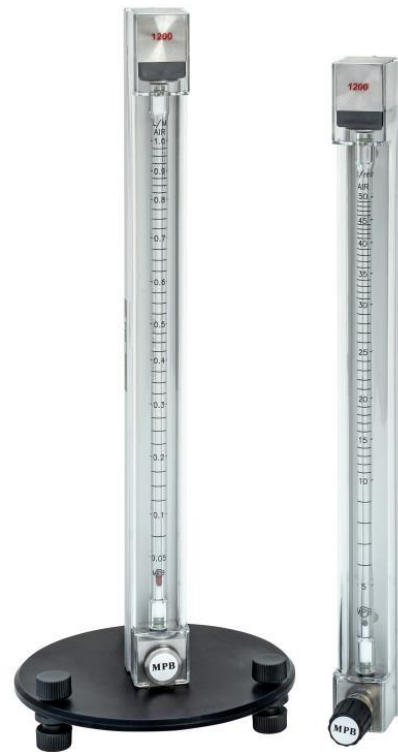
GENERAL INFORMATION

The MPB Long Series 1200 Flowmeter has been designed where the most accurate flow measurements are required, giving a high resolution, “free float” operation, with flow rates as low as 50cc/min Air and Water. Normally front of panel mounted, but can be rear of panel mounted and supplied complete with bezel mounting kit. A circular mounting base is also available with adjustable feet if required.

The Long Series 1200 Flowmeter will give an instantaneous flow rate of virtually any process gas or liquid.

The Long Series 1200 Flowmeter can be supplied with either nickel plated brass, anodised aluminium alloy or stainless steel connections.

This can be supplied with straight through, or rear facing connections, with, or without integral control valves.



MPB LONG SERIES 1200 FEATURES

- Also supplied in two other standard lengths (see MPBTB 002).
- High resolution – ideal for calibration purposes.
- Valved and non-valved versions available.
- Straight through, or rear facing connections.
- Direct reading of instantaneous flow rate.
- Polycarbonate safety cover.
- A wide range of standard flow rates.
- Customised flow rates also available.
- Easy to read scale.
- Easy in-situ tube removal and reinstallation.
- Frictionless, hence low head loss.
- Branding available for quantity orders.
- Bezel and mounting kit available.
- Suitable for front, or rear of panel mounting.
- Two base arrangements available.
- Minimal maintenance.
- Long service life.

MPB LONG SERIES 1200 VARIABLE AREA FLOWMETER INCLUDING LOW FLOW RANGE

SPECIFICATION AND GENERAL NOTES

Chassis:	Anodised aluminium to BSEN12373/AA25
End Blocks:	Nickel plated brass, stainless steel, or anodised aluminium
Process Connections:	¼" BSPPF or ¼" NPT rear facing, ¼" BSPPF, or ¼" NPT straight through
Valve Stem:	Stainless Steel
Cover:	Polycarbonate
Seals:	Typically, Nitrile or Viton (alternative sealing material available)
Measuring Tube:	Borosilicate glass (295mm long)
Scale:	Permanently fired black ceramic
Plumb Bob Float:	Hard anodised aluminium, or stainless steel
Ball Float:	Glass, stainless steel, ceramic, ruby or tungsten
Weight:	570/670 grams (standard)
Maximum Working Pressure:	Gas: up to 20 bar g, Liquid: up to 20 bar g (non-shock)
Maximum Work Temperature:	Nitrile: 60°C, Viton: 100°C
Accuracy:	+/- 5% FSD predicted, +/- 2% FSD series calibrated

STANDARD RANGES – 295MM TUBE LENGTH	
Air @ 1013 mbar abs 20°C	Water @ 20°C
5-50cc/min	5-50cc/min
10-100cc/min	10-100cc/min
25-250cc/min	25-250cc/min
60-600cc/min	50-500cc/min
0.05-1 L/min (20:1 turndown)	0.1-1 L/min
100-1000cc/min	0.2-2 L/min
0.2-2 L/min	0.3-3 L/min
0.25-2.5 L/min	0.5-5 L/min
0.5-5 L/min	1-10 L/min
0.75-7.5 L/min	
1-10 L/min	
1.5-15 L/min	
2.5-25 L/min	
3-30 L/min	
5-50 L/min	
10-100 L/min	
15-150 L/min	

Calibration uncertainties are of a confidence probability of not less than 95%
Customised flow ranges are available

MPB Industries Ltd - Designers and Manufacturers of Scientific and Process Control Instrumentation

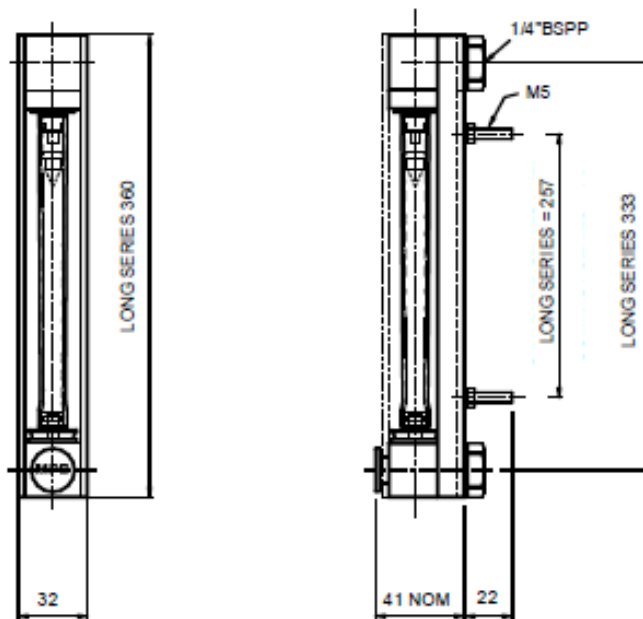
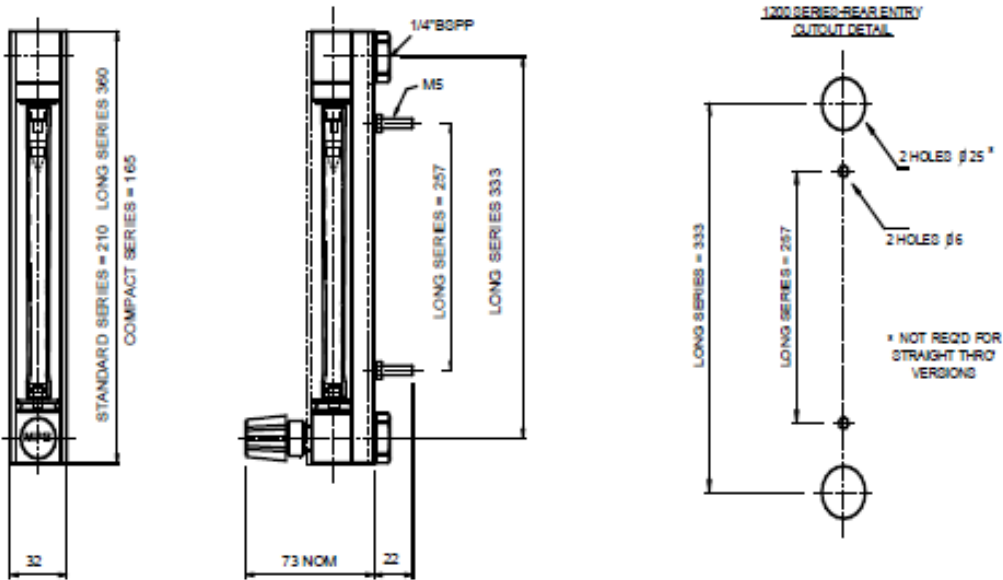
Part of the Scientific Digital Imaging plc (SDI) group of companies
Unit 1 Branbridges Ind Est, East Peckham, Kent TN12 5HF, UK, Tel: +44 (0)1622 872401
mail@mpbflowmeters.com, www.mpbflowmeters.com



Due to the constant development and improvement of products, information may be altered or withdrawn without notice.

MPB LONG SERIES 1200 VARIABLE AREA FLOWMETER DIMENSIONS - REAR FACING CONNECTIONS

MPB LONG SERIES 1200 VARIABLE AREA FLOWMETER DIMENSIONS - REAR FACING VERSION

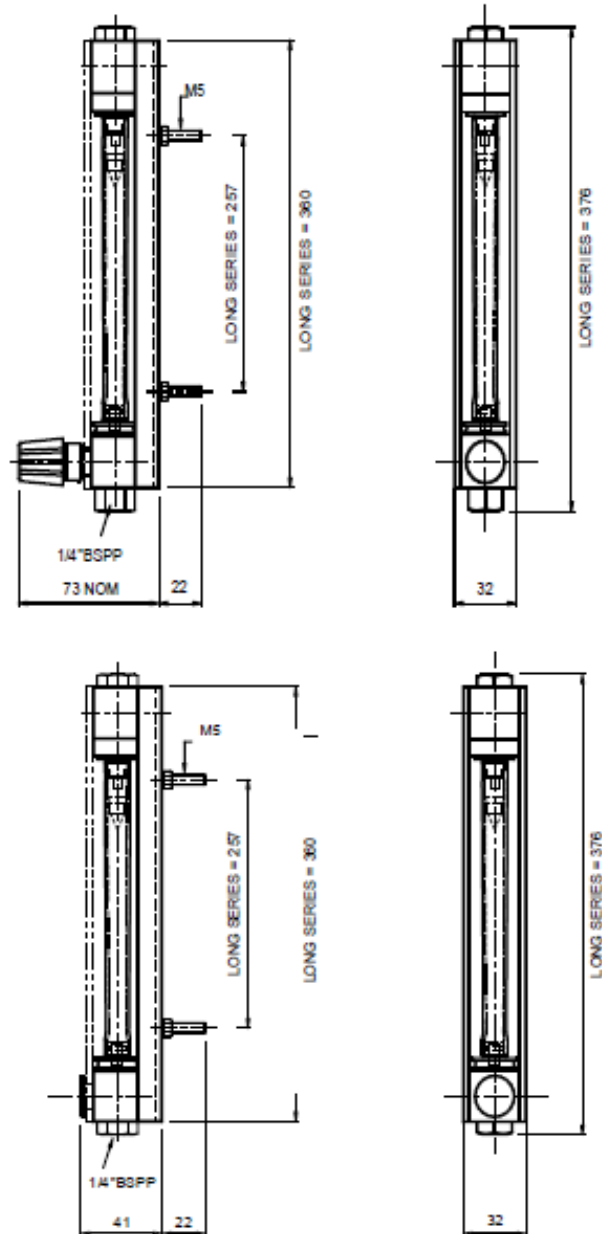


MPB Industries Ltd - Designers and Manufacturers of Scientific and Process Control Instrumentation
Part of the Scientific Digital Imaging plc (SDI) group of companies
Unit 1 Branbridges Ind Est, East Peckham, Kent TN12 5HF, UK, Tel: +44 (0)1622 872401
mail@mpbflowmeters.com, www.mpbflowmeters.com

Due to the constant development and improvement of products, information may be altered or withdrawn without notice.

MPB LONG SERIES 1200 VARIABLE AREA FLOWMETER DIMENSIONS – STRAIGHT THROUGH CONNECTIONS

MPB LONG SERIES 1200 VARIABLE AREA FLOWMETER DIMENSIONS – STRAIGHT THROUGH VERSION



Please contact MPB Sales Office for separate sheet detailing panel cut outs
for rear of panel mounted flowmeters.

MPB Industries Ltd - Designers and Manufacturers of Scientific and Process Control Instrumentation

Part of the Scientific Digital Imaging plc (SDI) group of companies

Unit 1 Branbridges Ind Est, East Peckham, Kent TN12 5HF, UK, Tel: +44 (0)1622 872401

mail@mpbflowmeters.com, www.mpbflowmeters.com

Due to the constant development and improvement of products, information may be altered or withdrawn without notice.