

MPB SERIES 1600 SINGLE AND DUAL TUBE VETERINARY GAS FLOWMETERS

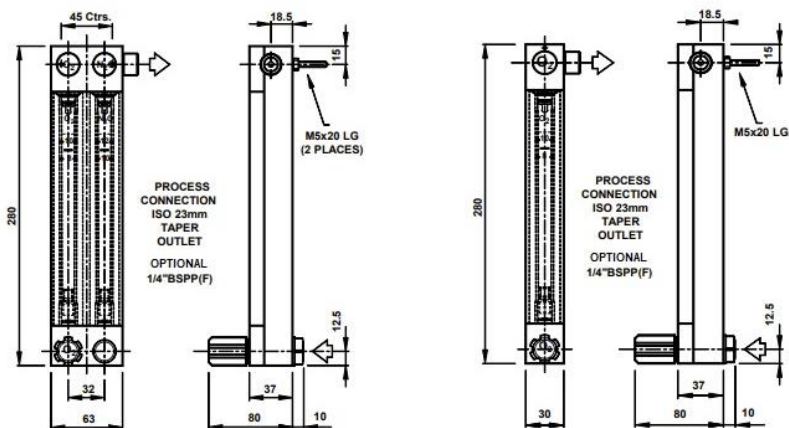
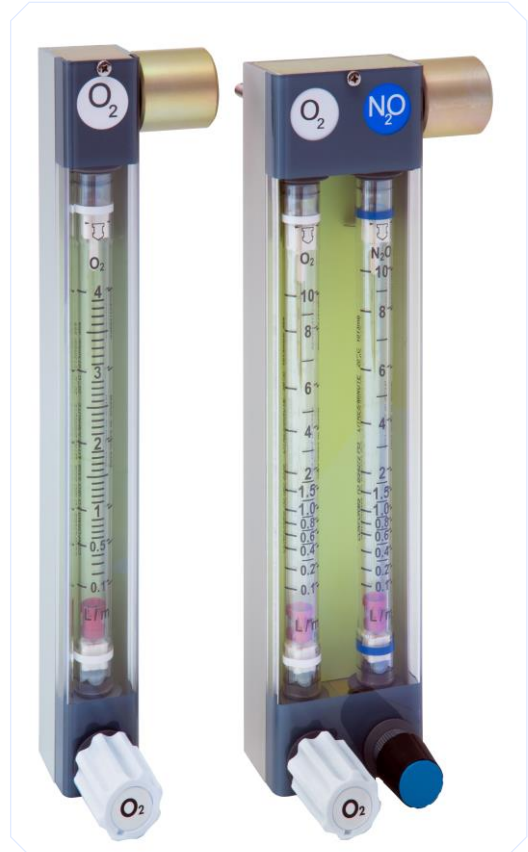
GENERAL INFORMATION

MPB produces a comprehensive range of veterinary anaesthetic flowmeters complete with safety cover, independent control valves, illuminous backing and earthing tags, suitable for trolley or wall mounting.

- All MPB flowmeters for anaesthetic gases conform to ISO 5358 / BS 4272 being electrically conductive.
- MPB can also supply complete tube and float assemblies independently.
- Accuracy of measurement is to class 2.5 VDI/VDE 3513 or better.
- Process connections: Achromed Aluminium, 1/4" BSPPF, or ISO 23mm taper outlet. *(Please state when ordering)*
- Our MPB design team will be pleased to discuss existing or new products, i.e. customised designs, scales, tube lengths.
- Colour banding supplied as standard.

Standard flow rates:

0.1-1 L/min Air	0.1-1 L/min O ₂	0.1-1 L/min N ₂ O
0.1-2 L/min Air	0.1-2 L/min O ₂	0.1-2 L/min N ₂ O
0.1-4 L/min Air	0.1-4 L/min O ₂	0.1-4 L/min N ₂ O
0.1-8 L/min Air	0.1-8 L/min O ₂	0.2-12 L/min N ₂ O
	0.1-10 L/min O ₂	
	0.1-15 L/min O ₂	



Please note we have a wide range of flow rates to suit these instruments.

Please contact our sales office for full details.

MPB Industries Ltd - Designers and Manufacturers of Scientific and Process Control Instrumentation

Part of the Scientific Digital Imaging plc (SDI) group of companies
 Unit 1 Branbridges Ind Est, East Peckham, Kent TN12 5HF, UK, Tel: +44 (0)1622 872401
 mail@mpbflowmeters.com, www.mpbflowmeters.com



Due to the constant development and improvement of products, information may be altered or withdrawn without notice.